



#### PRODUCT CODES

**GJD500** D-TECT Laser 25m x 25m Black

**GJD500/W** D-TECT Laser 25m x 25m White

**GJD505** D-TECT Laser 5m x 5m Black

**GJD505/W** D-TECT Laser 5m x 5m White

**GJD509** D-TECT Laser 10m x 10m Black

**GJD509/W** D-TECT Laser 10m x 10m White

#### UNIQUE FEATURES

Covert operation: the LED display can be switched off with the remote control

4 adjustable sensing curtains to provide alarm & pre-alarm warning

High immunity to environmental interference using dedicated time of flight software

#### END USER BENEFITS

Capacity to detect or ignore objects with a remission factor down to 2%

Discreet design with optional black or white housing

IP65 rated, indoor and outdoor applications

Extremely reliable detection

## D-TECT Laser

The D-TECT Laser is a laser based security device designed to create virtual curtains and surveillance security zones. The D-TECT Laser is programmable to within 10cm and operates with the highest levels of precision for accurate and reliable intrusion detection.

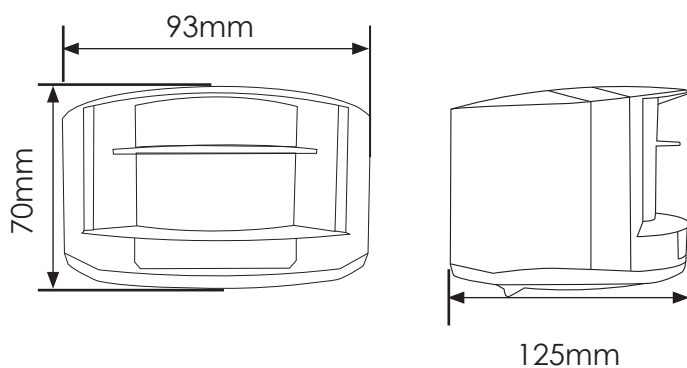
#### APPLICATIONS

- Monitoring pedestrian and vehicle access points
- Perimeter protection and intrusion detection
- Safeguarding works of art and masterpieces
- Protection against theft and vandalism
- Securing open sites

#### EASE OF INSTALLATION

- 3 visible red LASER beams can be activated to align the detection surface and adjust the tilt and rotation angles
- Teach-in function: self-learning of both environment and background through an automatic adjustment of the detection planes
- Remote control to easily set the adjustable parameters

#### DIMENSIONS



# TECHNICAL SPECIFICATIONS

## ACCESSORIES

<b>GJD501</b>	Laser Programmer
<b>GJD511</b>	Laser Bracket
<b>GJD513</b>	D-TECT Laser Spot Finder



### D-TECT LASER PROGRAMMER

The user friendly programmer allows all settings and parameters to be easily set and adjusted.



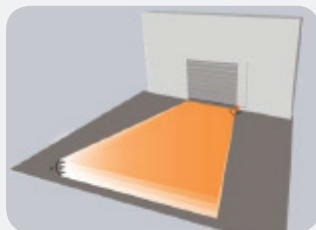
### D-TECT LASER BRACKET

This bracket is required when fitting the laser 'end on' to a wall or post.



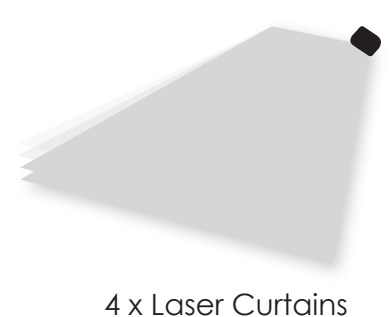
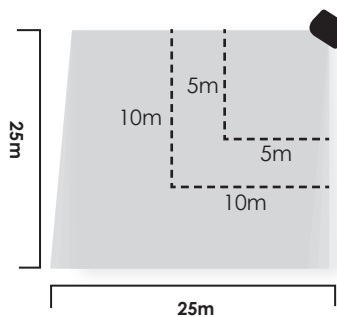
### D-TECT LASER SPOT FINDER

The Spotfinder is a set up too that enables the engineer to locate the precise position of the laser curtains.



TECHNOLOGY	Laser scanner, time-of-flight measurement
DETECTION MODE	Movement and presence
MAX. DETECTION RANGE	GJD500: 25m x 25m GJD509: 10m x 10m GJD505: 5.0 x 5.0m
ANGULAR RESOLUTION	0.3516*
REMISSION FACTOR	>2%
TYP. MIN.TARGET SIZE	2.1cm @ 3m / 3.5cm @ 5m / 7cm @ 10m / 17.5cm @ 25m (in proportion to object distance)
EMISSION CHARACTERISTICS IR LASER	Wavelength 905 nm; max. output pulse power 75W (Class 1)
RED VISIBLE LASER	Wavelength 650 nm; max. output CW power 3mW (Class 3R)
SUPPLY VOLTAGE	24VDC 3A Supply
CABLE LENGTH	10m
PEAK CURRENT AT POWER ON:	2.625A max 80ms @ 24VDC
RESPONSE TIME	Typ. 20 ms; max. 80 ms
OUTPUT MAX SWITCHING VOLTAGE MAX SWITCHING CURRENT	2 electronic relays (galvanic isolated – polarity free) 5V DC / 24V AC 80mA (resistive)
LED SIGNALS	1 blue LED: power-on status, 1 orange LED: error status, 2 bicoloured LED's: detection/output status (green: no detection, red: detection.) The LED's can be switched off by remote control
DIMENSIONS	125 mm (D) x 93 mm (W) x 70 mm (H) (mounting bracket + 14 mm)
MATERIAL	PC/ASA (colour: black or white)
ROTATION ANGLES ON BRACKET	-5° to +5° (lockable)
TILT ANGLES ON BRACKET	-3° to +3°
PROTECTION DEGREE	IP65 (avoid direct exposure to high pressure cleaning)
TEMPERATURE RANGE	-30°C to +60°C if powered / -10°C to +60°C unpowered
HUMIDITY	0-95% non-condensing
VIBRATIONS	< 2 G
NORM CONFORMITY	2006/95/EC: LVD; 2002/95/EC. RoHS; 2004/108/EC: EMC; EN 60529:2001, IEC 60825-1:2007 Laser Class 1 & 3R; EN 61000-6-2:2005 EMC – Industrial level; EN 61000-6-3:3006 EMC – Commercial level

## BEAM COVERAGE



Please note GJD reserve the right to change the information within this document, without notice.

[www.gjd.co.uk](http://www.gjd.co.uk) | [info@gjd.co.uk](mailto:info@gjd.co.uk) | +44 (0) 1706 363 998

Unit 2 Birch Business Park, Whittle Lane, Heywood, Greater Manchester, OL10 2SX, UK

