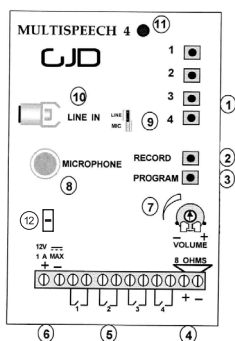


The Multispeech 4 is a four channel speech enunciator module designed for security, access control, welcoming, advising or warning. The module can be configured to accept any normally open or normally closed device. This gives a greater flexibility to use any detection device, alarm panel, panic button, telephone responder or activation from a Remote Video CCTV Monitoring Station.

A separate 30 second message can be recorded on each of the four channels or alternatively one single message of 120 seconds long. Each of the four messages can be played back separately by triggering the corresponding input.

The Multispeech is a module for mounting inside a host system cabinet using the four self adhesive supports supplied. It provides a 2 x 8 Ohm audio outputs that can be applied to loudspeakers. Recording can be made using the on board microphone or alternatively by a 1 V p-p line input.



FUNCTIONS

1. Four individual channel buttons
2. Record button
3. Program button
4. Speaker output
5. Four individual alarm outputs
6. 12VDC Input
7. Volume control (+ = maximum)
8. Microphone
9. Line in or onboard microphone selector
10. External source 'line in' photo socket (1V p-p maximum)
11. Status LED indicator
12. Speaker 2 output

CUSTOMISING

All factory set parameters can be changed to suit individual requirements. The highlighted areas on the programming chart show the factory settings which suit most applications. Any changes are stored in the non-volatile memory.

PROGRAMMING

To enter the program mode select and hold the program button first. When changing Options or Settings use a one second button press.

1. First press and hold down the Program button on the module.
2. Then press the selected channel button for the number of the required 'Option', (e.g. Pulse count press the channel button twice)
3. Wait four seconds until the indicator goes out.
4. The indicator will flash out the existing 'Setting' and after five seconds 'wait time' the unit will return to standby.
5. To change the 'Setting' for that option press the channel button, within this wait time, for the number of the required 'Setting'. (e.g. Pulse count 3 press the channel button three times)
6. The indicator blinks twice and the changes are stored.
7. To finish at any time - release the buttons - the unit returns to standby.

EXAMPLE

To link channel '1' recording to be followed by channel '2' recording.

- a) first press and hold down the Program button on the module
- b) press the channel '1' button five times for "Link"
- c) wait until the red indicator goes out
- d) the indicator will then flash out the existing setting for that channel
- e) press the channel '1' button twice
- f) release button - the unit returns to standby

PROGRAMMING CHART

OPTIONS	Once - set input	then for X	1 N/O	2 N/C					
	Twice - set Pulse Count	then for X	1 1	2 2	3 3				
	Three - set Pre-Noise	then for X	1 NO	2 SH	3 BNG				
	Four - set Mute Period	then for X	1 1	2 2	3 5	4 10	5 15	6 20	7 30
	Five - set Links	then for X	1 STD	2 1&2	3 1 to 3	4 1 to 4	5 120 S		
	Six - set links hold time	then for X	1 1	2 2	3 5	4 10	5 15	6 20	7 30
	factory settings highlighted								
Seven = flashout of above settings									
Eight = reset GJD factory defaults									

wait for indicator to go out

SETTINGS

Input		All channels can be programmed to accept normally open or normally closed triggers.
Pulse Count		The number of alarm triggers before playing the message
Message Alert	NO SH BNG	Factory setting of no message alert Each channel can be set to have a preceding 'White noise' attention sound or each channel can be set to have a preceding 'bing bong' attention sound
Mute Period (in seconds)		After the message has been activated the mute period is the number of seconds to elapse after the message has finished before it can be triggered again if their are constant inputs
Links & 120 Seconds Mode	STD 1 to 2 1 to 3 1 to 4 120S	Standard factory set for all channels = each channel input will activate the corresponding message Activation on input '1' only will trigger channel one message and will be followed by channel two message if constant triggering of input (see links hold below) As above but with three separate messages As above but with four separate messages Select this mode when only one 120 second message is required. Use input one and channel on only
Links Hold (in seconds)		Additional inputs have to be received within this time period to activate the next message
Flashout		Hold down the program button and press the selected channel button seven times. The red indicator will flash out the sequence of all the settings.
Program Chart Reset		Hold down the program button and press the selected channel button eight times to reset the channel to the factory settings.

It is possible to trigger each individual channel by any normally open / normally close device or switch contact.

EXAMPLES

GJD CCTV external detection systems
 Remote Video Response Centre (RVRC)
 IR Beams
 Alarm Panels
 Panic Button / Radio Links
 GJD Light Controls (auxiliary output)

RECORDING MESSAGES

TO RECORD AN INDIVIDUAL 30 SECOND MESSAGE

- Press and hold the RECORD button first then press the selected channel button. The red indicator will light
- Record the message for that channel then release the record button. The recording will stop when the button is released or the 30 second time allowance is reached.
- When recording is completed the message is played back automatically.

These steps can be repeated to record over a previously stored message. There is no limitation to re-recording messages.

TO RECORD ONE INDIVIDUAL 120 SECOND MESSAGE

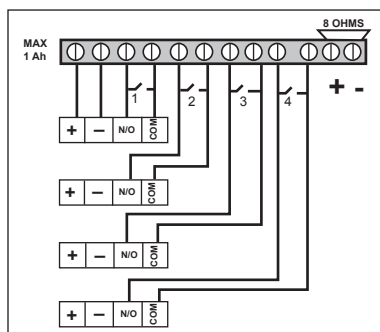
- Program selectable (Program chart - Option 5, Setting 5, Channel '1')
- This mode uses Channel '1' message and alarm input '1' only to activate
- Press and hold the RECORD button first then press the number '1' channel button.
- Record the message then release the record button. The recording will stop when the button is released or the 120 second time allowance is reached.

TO PLAYBACK THE RECORDING OF EACH CHANNEL

- Press and release the selected channel button

TO ERASE THE 120 SECOND RECORDING

- Ensure the any external 'line in' is disconnected
- Place the jumper link to 'line'
- Press and hold the RECORD button first then press the number '1' channel button. Hold the record button down for 120 seconds or until the red indicators goes out.



Recording Time	one single message of 120 seconds maximum or four individual messages of 30 seconds.
Memory Type:	EEPROM (non-volatile memory)
Channel input type	Four individual normally open or normally closed triggers
Audio output:	Maximum 2 x 8W @ 8 Ohms minimum (loudspeaker power handling min. 8W impedance min 8ohms.)
External audio input:	1V p-p maximum (jumper selectable)
Supply Voltage	9VDC to 15VDC
Current Consumption	standby 9mA - record 38mA peak 1 Amp max. (playback into loudspeaker)
Features:	Pulse Count selectable (1 to 3) Optional preceding message alert Re-trigger period between 1 and 30 seconds Linking message outputs
Operating Temp	-10 + 50 degrees centigrade
Dimensions:	100mm x77mm x 40mm (including supports)
Weight:	60g (including support)
Certifications	

ENGINEER NOTES

w: www.gjd.co.uk ■ **t:** +44 (0) 1706 363 998 ■ **f:** +44 (0) 1706 363 991

Unit 2, Birch Business Park, Whittle Lane, Heywood, Greater Manchester, OL10 2SX, UK